

APPLICATION:

PRODUCT NAME:

WALL MOUNT FAUCET
WITH DJ SWING SPOUT

JOB NAME:

SPECIAL CONFIGURATION
 CHECK BASE MODEL AND OPTIONS

QUANTITY:

ITEM NO.

MODEL:

■ 2267

OPTIONS OR MODIFICATIONS:

HANDLES (CROSS OR WRIST) CIRCLE STYLE
 VANDAL RESISTANT KIT
 OTHER _____

FEATURES

CONTROL VALVE

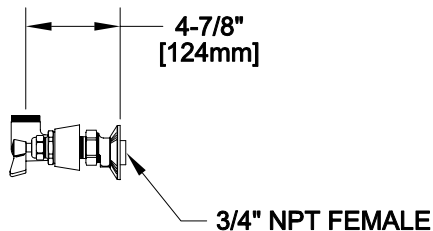
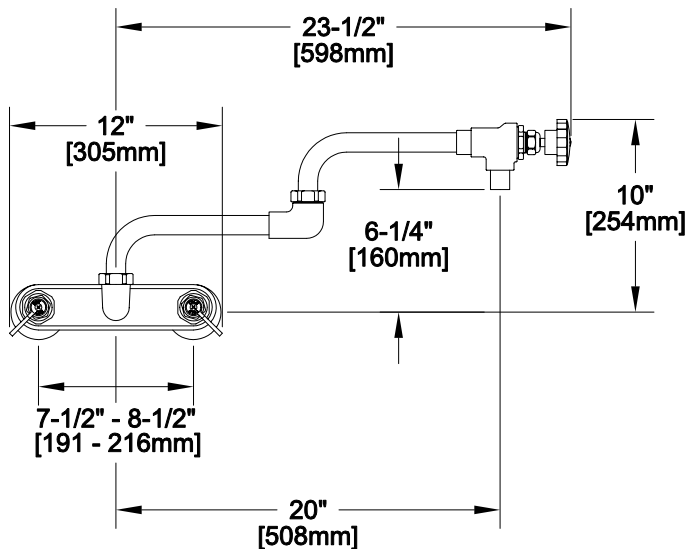
- * ECCENTRICS ADJUST FROM 7-1/2" TO 8-1/2"
- * INTERNAL SPRING LOADED CHECK VALVES
- * HOT SIDE STEM - RIGHT HAND
- * COLD SIDE STEM - LEFT HAND
- * SWIVELLING SEAT DISKS
- * STAINLESS STEEL SEATS
- * STAINLESS STEEL SEAT SCREWS
- * STAINLESS STEEL HANDLE SCREWS
- * SHUT-OFF SPOUT

SYSTEM LIMITS

- * TEMP: 40°F MIN. TO 140°F MAX.
- * PRESSURE: 200 PSI MAX. STATIC
- * 29 GPM AT 80 PSI

SHIPPING WEIGHT

- * 10.0 LBS



ROUGH-IN:

